

Automatic Identification System

Model: HR-200



**Equipped with 2-channel
AIS receiver**

Embedded with GPS receiver

➤ AIS Receiver

- ◆ Dual channels Automatic Identification System
- ◆ Compatible with Class A and B
- ◆ RS-232, RS-485 input / out put port
- ◆ Reasonable price / Simple installation

➤ Chartplotter

- ◆ Realtime receiving others Identification on Haiyang Chartplotter and Laptop
- ◆ Avoid a sea accident with alarm (time / distance alarm available)
- ◆ MAX 160nm is available for receive and display
- ◆ Easy-to-operate

HAIYANG

103-903 BucheonTechnopark 364 Samcheongdong Ojeonggu Bucheon Gyeonggi, Korea

TEL : +82 2 324 0381 FAX : +82 32 327 4713

Web-site : <http://www.haiyang.co.kr>

RECEIVER

1. Frequency	AIS 161.975MHz / AIS 162.025MHz
2. Channel Spacing	25KHz
3. Sensitivity	-115dBm
4. Demodulation	GMSK
5. Data Rate	9600
6. Impedance	50 ohms

Electrical

1. Power Supply Range	9 ~ 30V DC
2. Power Consumption	400mW

Output

1. Baud Rate	38400 Baud (38.4Kb) or 4800 (internal link)
2. Data Format	ITU / NMEA0183
3. Output Message	-115dBm

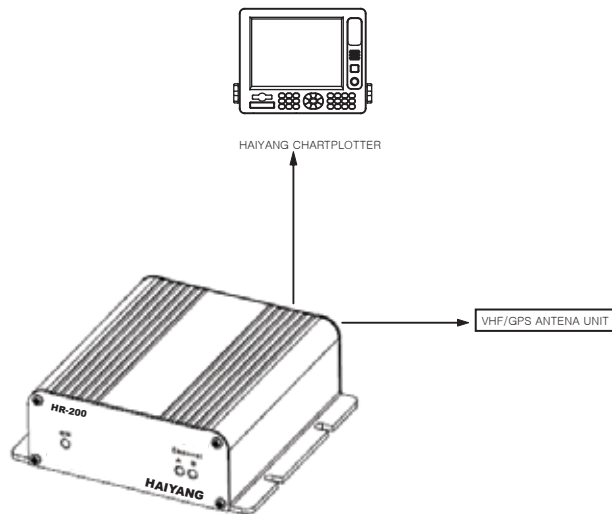
Physical

1. Dimension	140mm (L) x131.4mm (W) x 46mm (H)
2. Weight	600g
3. Mounting	Screw Mounting
4. Antenna Connector	BNC Jack
5. Data Output Port	DB-9
6. Power Connector	4 -pole Plug

Transmission Specification

- Static
Every 6 min or, when data has been amended, or on request
- Dynamic
This is dependent on speed and course alteration

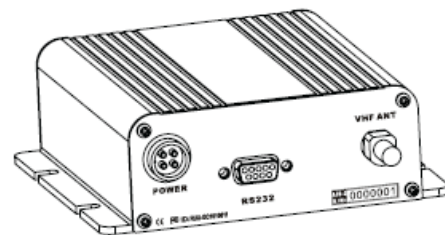
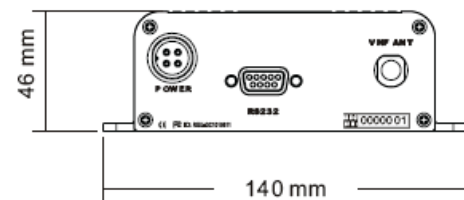
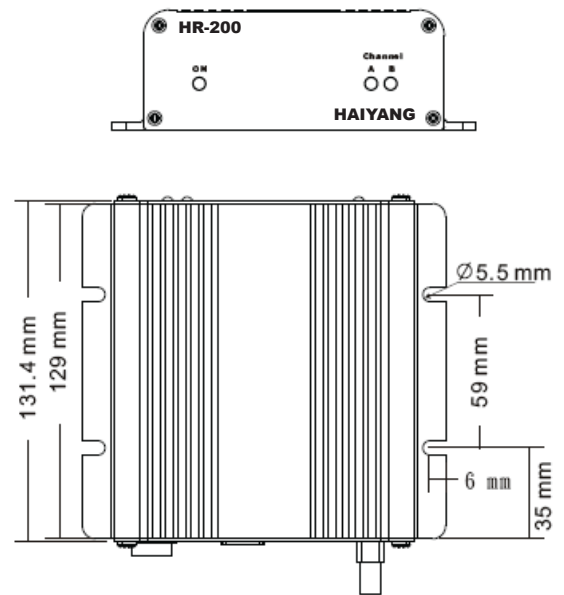
Interconnection Diagram



VHF Antenna

1. Features	Whip antenna
2. Construction	312mm, optional available
3. Frequency	162.025 MHz
4. Polarization	Omni-Directional
5. Power Gain	0 dBi
6. Band Width	10 MHz
7. VSWR	± 2.0
8. Impedance	50 ohm
9. Power Supply	Power Handling Capacity: 5 W
10. Cable & Connector	5m RG-174 with BNC connector
11. Operating Temperature	-35 °C ~+85 °C
12. Storage Temperature	-40 °C ~+95 °C

Display Unit



*SPECIFICATIONS SUBJECT TO CHANGE WITHOUT NOTICE

Certified to ISO 9001/2000

Haiyang OLIX CO., LTD.
 103-903 Bucheon Technopark 364 Samcheongdong Ojeonggu
 Bucheon Gyeonggi, Korea
 Tel : +82 2 3240381 Fax: +82 32 3274713
 Web-site: <http://www.haiyang.co.kr>
 E-mail: sales@haiyang.co.kr

04723H Printed in Korea